



## App Exercycle Connect

Track, analyse and share your cycling workouts.



## Console



### Instantaneous values

The first screen displays instant exercise data.



### Percentage values

The second screen shows percentages for the FTP test.



### Average values

A third screen shows the average values for the current session.



### Maximum values

The last screen offers the user the maximum values obtained during training.

## EMS RESISTANCE SYSTEM

The electromagnetic resistance system (EMS) allows a very precise, progressive and immediate regulation of intensity.



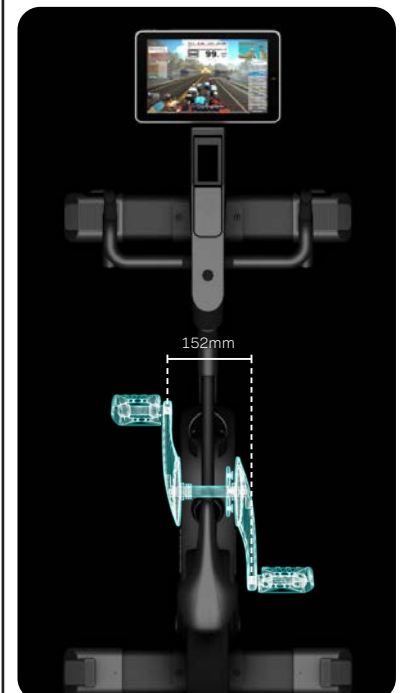
## ADJUSTABLE CRANKS

Adjustable cranks allow for a length of 170, 172 and 175mm to suit the length of the user's leg for optimal pedaling..



## Q FACTOR

The Exercycle has a Q factor of 152 which allows the position of the legs during pedalling to be the same as that of the road bike, while allowing the user to generate maximum force with each pedal stroke.



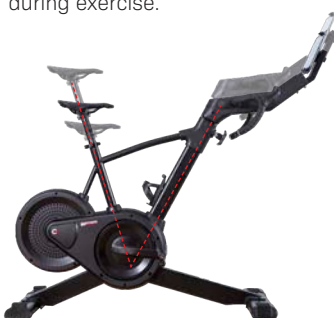
## CONNECTIVITY

It has an FTP test to calculate the watt threshold, a 5KHz Polar telemetric pulse receiver and a Bluetooth FTMS module that enables full compatibility with leading cycling simulators.



## GEOMETRY

The V-frame design allows the bike to fit sizes from S to XL, ensuring the highest degree of performance during exercise.



<b>Length</b>	140-144 cm	<b>Handlebar width</b>	42 cm
<b>Width</b>	61 cm	<b>Q Factor</b>	152 mm
<b>Height</b>	114-136 cm	<b>Power adjustment</b>	10 cm
<b>Weight</b>	48,6 Kg	<b>Shifting</b>	Electronic sequential shifting on levers and monitor
<b>Flywheel</b>	11 Kg EMS	<b>Saddle</b>	BH ergo-g ng afm cromo
<b>Resistance System</b>	Electromagnetic EMS	<b>Pedals</b>	Wellgo wpd 981 mixed
<b>Connectivity</b>	Compatible with iOS, Mac OS and Android Bluetooth FTMS	<b>Interchangeable pedals</b>	Yes
<b>Compatible Apps</b>		<b>Interchangeable saddle</b>	Yes
<b>Transmission</b>	Heavy duty belt with automatic tensioner	<b>Transport wheels</b>	Rollers
<b>Gradient</b>	0-25%	<b>Max user weight</b>	150 Kg
<b>Maximum Watts</b>	1500W real*	<b>Use frequency</b>	Intensive
<b>Resistance levels</b>	24	<b>Tablet/mobile holder</b>	Up to 12,9"

\*Watts obtained in realistic developments.

# Size and measurements

